

ES-852K11/12/13H

2MP IR Eyeball Network Camera



- 1/2.7" 2MP Image Sensor
- H.265+ dual-stream encoding
- IR Effective Range 10~20m
- High quality optical lens 3.6mm/6mm optional
- Multiple Web Browser Supported, IE/Safari/Chrome/Firefox
- P2P Cloud Function By Mobile App (AntarView Pro)
- Lightning Protection Up to 6KV
- IP67 Ingress Protection
- Built-in PoE



System Overview

EZ series 2MP IP cameras are cost efficient solution which is powered by smart H.265+ and advanced cutting-edge image sensor for video monitoring.

Cloud function is built-in for every single device, which is more convenient and flexible for real time and remote viewing.

Functions

H.265+

Delivering high quality video with up to 70% lower bandwidth. H.265+ is the optimized evolution of H.265 and traditional H.264. The Smart H.265+ includes a series of encoding strategy like Dynamic ROI, smart 2D&3D noise reduction, etc. to save up to 70% bandwidth and storage.

Protection

With precise mechanical and rugged casing design, it stands against water and dust with industrial IP67 rank.

Support $\pm 30\%$ input voltage tolerance, it could work safely in extreme unstable power condition.

With working temperature range -30°C to $+60^{\circ}\text{C}$, it works well in a variety of harsh outdoor environments.

Technical Parameters

Camera

Model	ES-852K11H	ES-852K12H	ES-852K13H	Flash/DDR	16MB/256MB
Image Sensor	1/2.7" 2MP Image Sensor			S/N Ratio	More than 52dB
Min. Illumination	0.08Lux/F2.0 (color) 0 Lux with IR on			IR Distance	10~20m
Effective Pixels	1920(H)*1080(V)			IR LED No	1

Lens

Focal Length	2.8mm	3.6mm	6mm	FOV	99.6°	90.5°	60°
Aperture	F2.0						

Video

Compression	H.265/H.264			WDR	DWDR
Resolution	1080P(1920x1080)/1.3MP(1280x960)/720P(1280x720) Q720P(640x360)/CIF(352x288)			Day/Night	Auto ICR
Bit Rate Control	CBR/VBR			White Balance	Supported
Bit Rate	16Kbps-4Mbps			Defog	Supported
Streaming	Dual stream			Noise Reduction	3D DNR
Frame Rate	Main stream: 1920x1080(1~20fps) Sub stream: 704x576(1~25/30fps)			Mirror	Supported
Digital Zoom	12x			Flip	Supported
Audio Compression	G.711u			BLC	Supported
				ROI	Support 4 fixed region for main stream and sub stream separately
				Anti-flicker	Supported
				Privacy Mask	4 Areas

Alarm & Audio

Video Detection	Motion Detection, Video Shelter			IVA	N/A
Audio	N/A				

Network

Ethernet	1 RJ-45 port(10/100Mbps)			Web Browsers	IE/Firefox/Chrome/Safari
Protocols	TCP/IP, UDP, HTTP, IGMP, ICMP, DHCP, RTP/RTSP, DNS, DDNS, FTP, NTP, PPPoE, UPNP, SMTP, SNMP			VMS	AntarVis 2.0
Onvif	Onvif Profile S			Mobile App	AntarView Pro
Max. Online Users	2			Platform	Mac OS/ Windows/IOS/Android

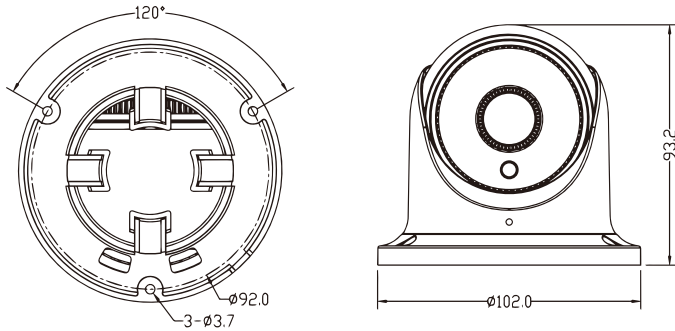
General

Working Temperature	-30℃~+60℃			Ingress Protection	IP67
Working Humidity	10~90%			Dimensions	Φ102x93.2mm
Power Supply	PoE, IEEE802.3af DC12V±10%			Net Weight	0.36KG
Power Consumption	<3W			Gross Weight	0.44KG

Ordering Information

Type	Part Number	Description
2MP Camera	ES-852K11H	2MP Network Camera(2.8mm Lens)
	ES-852K12H	2MP Network Camera(3.6mm Lens)
	ES-852K13H	2MP Network Camera(6mm Lens)

Dimensions (mm)



More details

ZKTECO CO.,LTD.
www.zkteco.com
E-mail: sales@zkteco.com

Copyright ©2018 ZKTECO CO., LTD. All rights reserved.

