

EL-854N28I

4MP IR Motorized Eyeball Network Camera



- 1/3" 4MP Image Sensor
- H.265+ dual-stream encoding
- IR Effective Range 20~30m
- High quality motorized lens 2.8~12mm
- IVA (Smart Function) Supported
- Multiple Web Browser Supported, IE/Safari/Chrome/Firefox
- P2P Cloud Function By Mobile App (AntarView Pro)
- Lightning Protection Up to 6KV
- IP67 Ingress Protection
- Built-in PoE



System Overview

E series 4MP IP cameras are cost efficient solution which is powered by smart H.265+ and advanced cutting-edge image sensor for video monitoring.

It delivers crystal clear images and support industry-leading IVA smart event alarm

Cloud function is built-in for every single device, which is more convenient and flexible for real time and remote viewing.

Functions

H.265+

Delivering high quality video with up to 70% lower bandwidth. H.265+ is the optimized evolution of H.265 and traditional H.264. The Smart H.265+ includes a series of encoding strategy like Dynamic ROI, smart 2D&3D noise reduction.

IVA (Intelligent Video Analysis)

It allows detecting multiple object behaviors, like Face Detection, Tripwire, Intrusion, Object Detection and Target Counting etc.

Protection

With precise mechanical and rugged casing design, it stands against water and dust with industrial IP67 rank.

Support $\pm 30\%$ input voltage tolerance, it could work safely in extreme unstable power condition.

With working temperature range -30°C to $+60^{\circ}\text{C}$, it works well in a variety of harsh outdoor environment

Technical Parameters

Camera

Model	EL-854N28I	Flash/DDR	16MB/256MB
Image Sensor	1/3"4MP Image Sensor	S/N Ratio	More than 52dB
Min. Illumination	0.08Lux/F1.4 (color) 0 Lux with IR on	IR Distance	20~30m
Effective Pixels	2592(H)*1520(V)	IR LED No	2

Lens

Focal Length	Motorized 2.8~12mm	FOV	37°~100°
Aperture	F1.4		

Video

Compression	H.265 / H.264	WDR	120dB
Resolution	4MP(2592x1520 / 2560x1440 / 2048x1520)/1080(1920x1080)1.3MP (1280x960)/720P(1280x720)D1(720x576)/VGA(620x480)/CIF(352x288)	Day/Night	Auto(ICR)/Color/B/W
Bit Rate Control	CBR/VBR	White Balance	Supported
Bit Rate	16Kbps-32Mbps	Defog	Supported
Streaming	Dual stream	Noise Reduction	3D DNR
Frame Rate	Main stream: 2592x1520(1-25/30fps)	Flip	Supported
	Sub stream: 720x576(1~25/30fps)	Mirror	Supported
Digital Zoom	12x	BLC	Supported
Audio Compression	G.711u	ROI	Support 4 fixed region for main stream and sub stream separately
		Anti-flicker	Supported
		Privacy Mask	4 Areas

Alarm & Audio

Video Detection	Motion Detection, Video Shelter	IVA	Face Detection/Tripwire/Intrusion/Object Left/Missing/Target Counting
Audio	1 channel audio input; 1 channel audio output optional		

Network

Ethernet	1 RJ-45 port(10/100Mbps)	Web Browsers	IE/Firefox/Chrome/Safari
Protocols	TCP/IP, UDP, HTTP, IGMP, ICMP, DHCP, RTP/RTSP,DNS, DDNS, FTP, NTP, PPPoE, UPNP, SMTP, SNMP	VMS	AntarVis 2.0
Onvif	Onvif Profile S	Mobile App	AntarView Pro
Max. Online Users	4	Platform	Mac OS/ Windows/IOS/Android

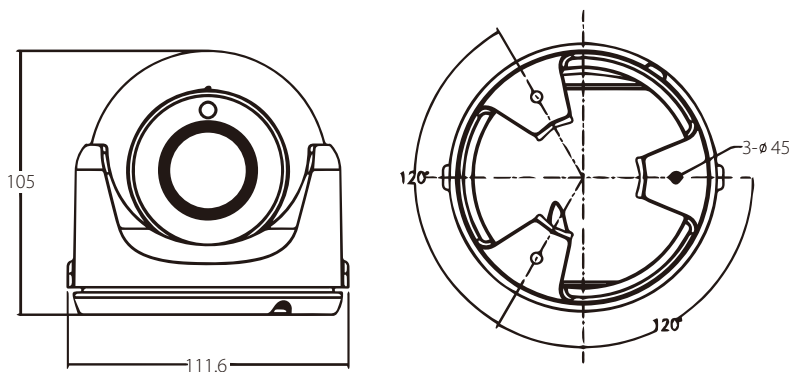
General

Working Temperature	-30 C ~+60 C	Ingress Protection	IP67
Working Humidity	10~90%	Dimensions	Φ111.6x105mm
Power Supply	PoE, IEEE802.3af	Net Weight	0.4KG
	DC12V±10%	Gross Weight	0.64KG
Power Consumption	<3W		

Ordering Information

Type	Part Number	Description
4MP Camera	EL-854N28I	4MP Network Camera(2.8~12mm Lens)

Dimensions (mm)



More details